

SINOSUN-SM2×2/0.5×2

Handheld Radio

Technical Specification



(WiFi)

(WiFi/HDMI)

(WiFi/HDMI/5G)

1.Handheld Radio Specifications

General		Mechanical	
Waveform	Mobile Network MIMO (MN-MIMO)	Size/Weight	19x6.8x3.8cm/769g(with 11.1V/76Wh battery Handheld Radio) 20.5x6.8x3.8cm/0.799kg (with 11.1V/76Wh battery WiFi/HDMI Handheld Radio) 20.7x6.9x5.5cm/1.30kg (with 11.1V/76Wh battery WiFi/HDMI/5G Handheld Radio) 15.7x6.5x3.2cm/482g (Body Worn)
MIMO Technology	Space-time coding, Space Diversity, TX/RX beamforming, Spatial multiplexing	Color	Black, Iron Gray, Army Green Optional
Receive Sensitivity	-103dBm@5MHz BW	Installation	4 Mounting Holes
Channel Bandwidth	1.25/2.5/5/10MHz optional	Power	
Data Rate	1-70Mbps(10MHz BW) Adaptive,QoS	Supply Voltage	9-36VDC (1Watts×2/2Watts×2)
Modulation Mode	TD-COFDM,BPSK/QPSK/16QAM/64QAM/256QAM/1024QAM Adaptive(Fixed setting optional)	Power consumption	Operation 1-2A/Standby 0.5-0.7A@12V (1Watts×2/2Watts×2)
RF Output Power (Support TPC, transmission power control)	0.5Watts x2 2Watts x2	Power Selection	Power Supply by Twist-Lock Battery or Main Cable
Single Hop Communication Distance	100-300 KM (visible), 1-30 KM (urban area)	Batteries	8-10/6-8 hours for 114/76Wh (Handheld Radio)
Mode	Distributed centerless Point-to-point/Point-to-multipoint/Multipoint-to-multipoint, Layer 2 or 3 of Dynamic routing, Multi-hop relay, Star/Line/Network/Hybrid	Interface	
Single Hop Delay	Average 7mS (20MHz BW)	Basic interface	2xTNC RF, 1-3xRJ45 Ethernet 100/1000BaseT, WiFi AP,GPS/BD RS232/TTL(UART), Sbus/Bluetooth, 1.2-230.4Kbps, DC Input
Encryption	DES, AES128/256, SNOW3G/ZUC optional, Chip/TF card encryption customized or external encryption machine	Push to talk/Auxiliary interface	MIC, SP, PTT, GND, RS485/422, USB2.0 OTG
Anti-jamming Mode	Manual spectrum scanning channel selection, Full band enhanced intelligent frequency selectting(spectrum awareness)/Full band adaptive frequency hopping/ Roaming mode optional	Network Extension Optional	Public Network Routing/4G LTE, WB-NB integration, Fiber, Satellite
Local/Remote Management	Operating frequency, channel bandwidth, network ID, transmit power and other parameter settings, spectrum scanning, real-time display and statistical records of network topology, link field strength signal-to-noise ratio, upload and download traffic,node distance, GPS/Beidou electronic map, temperature/voltage/jamming Monitoring, software upgrade. Remote silence and wake-up optional	Video Extension Optional	Low Delay HDMI/SDI/ CVBS, 4K/2K/1080P/720P/D1
Others	The startup time is less than 28 seconds, and the network access/update/switchover time is less than 1 second. There is no limit on the user capacity of a single system (256 nodes or more) and the number of hops in Mesh networks (Data 15+ hops, voice 10+ hops, video 8+ hops). The total bandwidth loss of multiple hops is less than 70%. Automatic carrier tracking, adapted to a Doppler frequency deviation of ± 6kHz frequency offset, supports mobile communication at speeds above 7200 kilometers per hour (6 Mach, 2000 meters per second).	Link Status Indicator	Steady red - The network is not connected Blinking red - Starting/not connected to the network Steady green - The network is connected Blinking green - Voice PTT is down
Bands(70M-6GHz. 2T2R at single band, or 1T2R at dual band selectable/smart change*)		RSSI Link Indicator	Steady green - The link quality is excellent Steady Blue - The link quality is good Steady yellow - The link quality is medium Steady purple - The link quality is slightly worse Steady red - The link quality is poor or link is down
BAND	Frequency range (MHz)	BAND	Frequency range (GHz)
UHF	430-550/570-700/800-950, 225-400/320-470*	S Band	1.6-1.8/1.8-2.0/2.0-2.2/2.2-2.5/2.5-2.7/2.7-2.9, 1.6-2.3/1.9-2.7*
L Band	1000-1200/1300-1500, 1200-1700*	C Band	4.4-5.0/5.25-5.85, 4.2-5.2/5.5-6.0*
MIT	336-344/512-582/566-626/606-678/1420-1520/1430-1444		
Environmental			
Operation Temperature	-40°C ~+80°C		
Protection Level	IP66, IP67/IP68 Customized		
Management Interface/Control Interface	Web-based network management/GUI, API for secondary development interface/ SNMP		

2. Handheld Radio Hardware Interfaces

2.1、 Built WiFi



1 Radio Switch

3 Link Status Indicator

- Steady red: The network is not connected
- Blinking red: Starting/not connected to the network
- Steady green: The network is connected
- Blinking green: Voice PTT is down

RSSI Link Indicator

- Steady green: The link quality is excellent
- Blue Steady: The link quality is good
- Steady yellow: The link quality is medium
- Steady purple: The link quality is slightly worse
- Steady red: The link quality is poor or link is down
- Off: The link is interrupted

2 Power (EB Version Only, 9-24V), Ethernet, and Serial Port Connector [LF10WBRB-12PD]

4 RF Channels 1-2 Connectors [TNC Female]

5 WiFi Antenna

6 Auxiliary Interface[LF10WBRB-12SD]

2.2、 Built WiFi/HDMI



1 Radio Switch

3 Link Status Indicator

- Steady red: The network is not connected
- Blinking red: Starting/not connected to the network
- Steady green: The network is connected
- Blinking green: Voice PTT is down

RSSI Link Indicator

- Steady green: The link quality is excellent
- Blue Steady: The link quality is good
- Steady yellow: The link quality is medium
- Steady purple: The link quality is slightly worse
- Steady red: The link quality is poor or link is down
- Off: The link is interrupted

2 Power (EB Version Only, 9-24V), Ethernet, and Serial Port Connector [LF10WBRB-12PD]

4 WiFi Antenna

5 HDMI Switch

6 RF Channels 1-2 Connectors [TNC Female]

7 HDMI Port

8 Auxiliary Interface[LF10WBRB-12SD]

2.3、 Built WiFi/HDMI/5G



- 1** HDMI Switch
- 2** RF Channels 1-2 Connectors [TNC Female]
- 3** SIM Card Slot
- 4** Power (EB Version Only, 9-24V), Ethernet, and Serial Port Connector[LF10WBRB-12PD]
- 5** Link Status Indicator
 - Steady red: The network is not connected
 - Blinking red: Starting/not connected to the network
 - Steady green: The network is connected
 - Blinking green: Voice PTT is down

- 6** WiFi Antenna[SMA Female]
- 7** Radio Switch
- 8** 5G Antenna[SMA Female]
- 9** Auxiliary Interface[LF10WBRB-12SD]
- 10** HDMI Port

- RSSI Link Indicator
- Steady green: The link quality is excellent
 - Blue Steady: The link quality is good
 - Steady yellow: The link quality is medium
 - Steady purple: The link quality is slightly worse
 - Steady red: The link quality is poor or link is down
 - Off: The link is interrupted

3. Handheld Radio Connection Port Pin Definition

Power/Ethernet/Serial Connector Pinout	
Enclosure PWR/COMM (LF10WBRB-12PD)	Signal
1	5V OUT (For External GPS Puck)
2	GND IN
3	GND IN
4	VCC IN
5	VCC IN
6	100-Base T ETH0 M2N
7	100-Base T ETH0 M2P
8	100-Base T ETH0 M1P
9	RS232_RXD
10	RS232_TXD
11	RS232_GND
12	100-Base T ETH0 M1N

Table 1 Power/Ethernet/Serial Connector Pinout

RS-232 and PS/2 (GPS) Pinout		
RS-232	DB9 (GPS)	Signal
3	2	TxD
2	3	RxD
NC	NC	NC
NC	9	5V OUT
NC	NC	NC
5	5	Ground

Table 2 Serial and GPS Pinout

USB/GPIO Connector Pinout		
Enclosure USB/GPIO (LF10WBRB-12SD)	Signal	Voice interface definition
1	NA	/
2	NA	/
3	RS458 D-	/
4	USB2_VBUS	AUDIO_GND
5	GPIO1 (PA Enable 3.3V)	/
6	USB2_D+	MIC IN
7	USB2_D-	SPEAKER_OUT
8	RESERVED (Do Not Connect)	PTT
9	GND	/
10	RS458 D+	/
11	NA	/
12	USB2_GND	AUDIO_GND

**Table 3 USB/GPIO Connector Pinout
(USB1 is USB 2.0 OTG, USB2 is USB 2.0 Host Mode Only)**

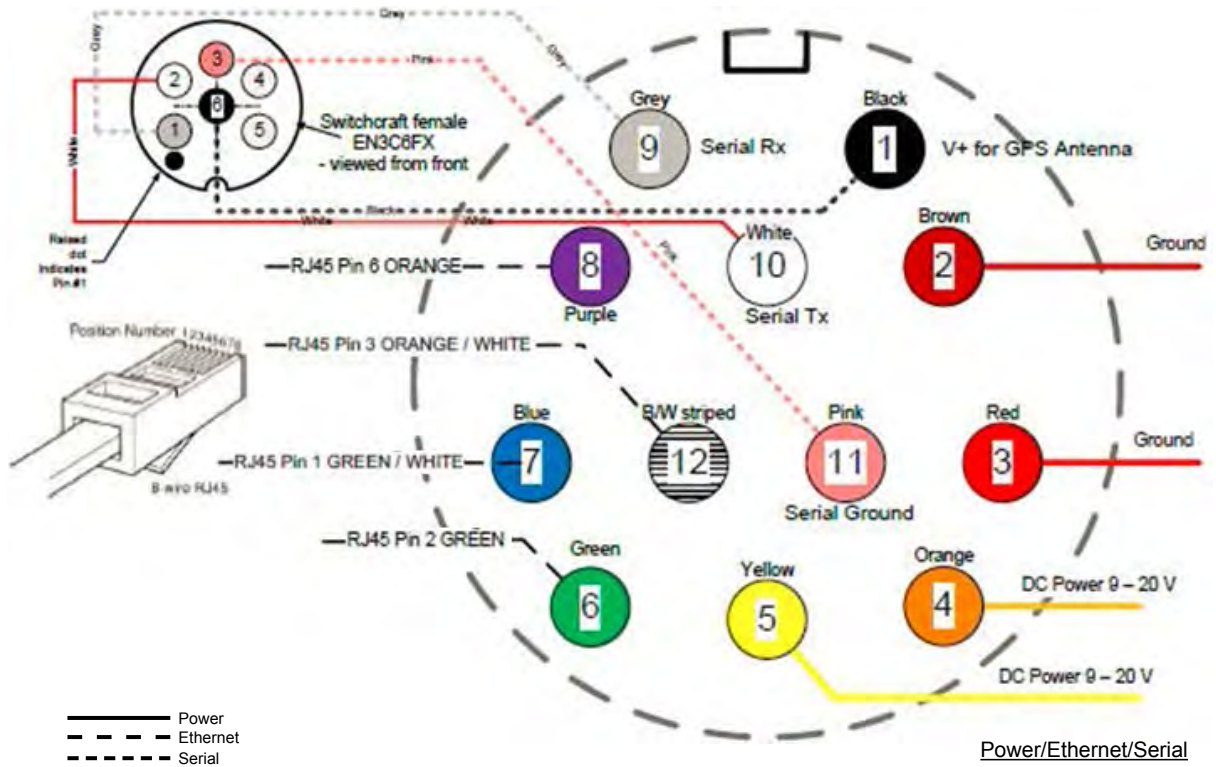


Figure1 Power (Optional)/Serial/Ethernet Pinout Diagram (Cable Side)

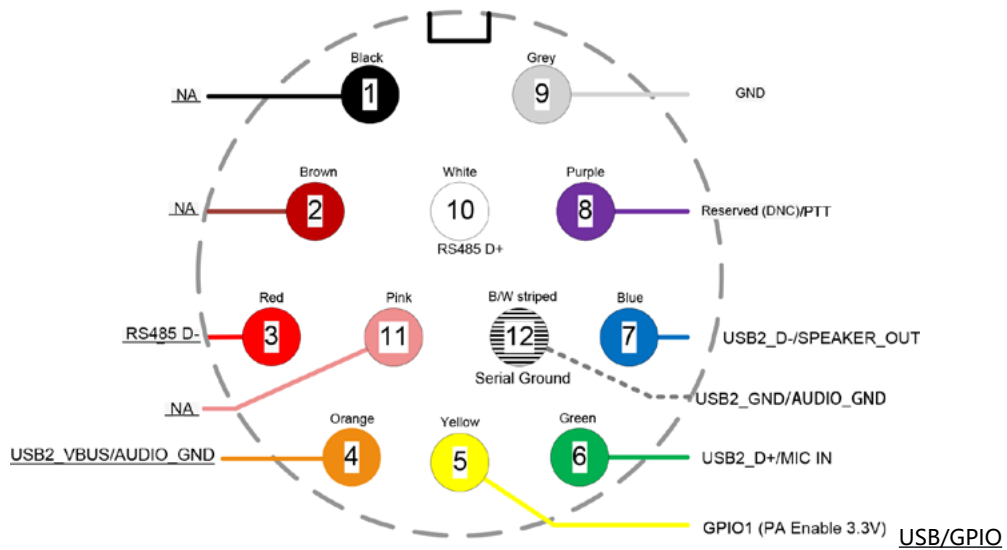
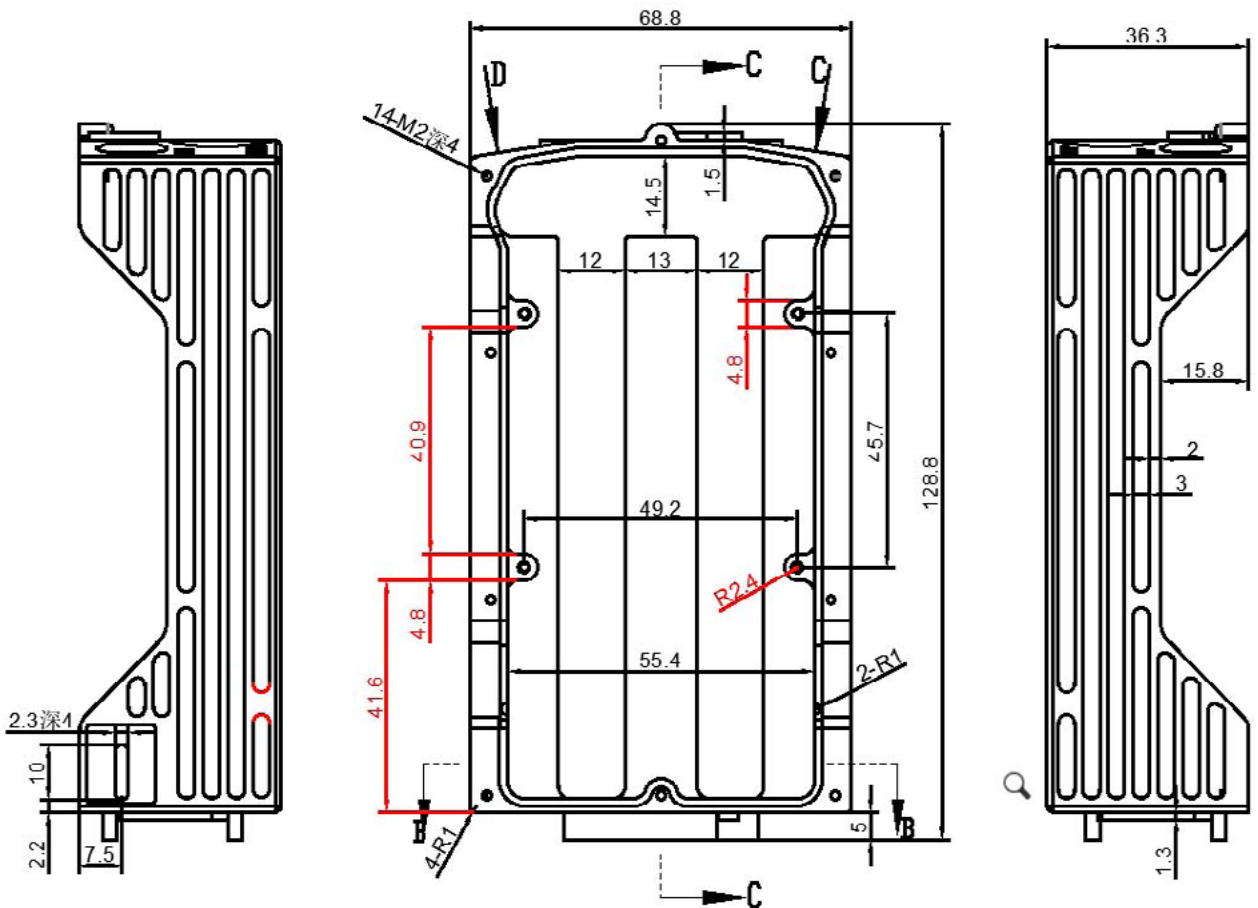
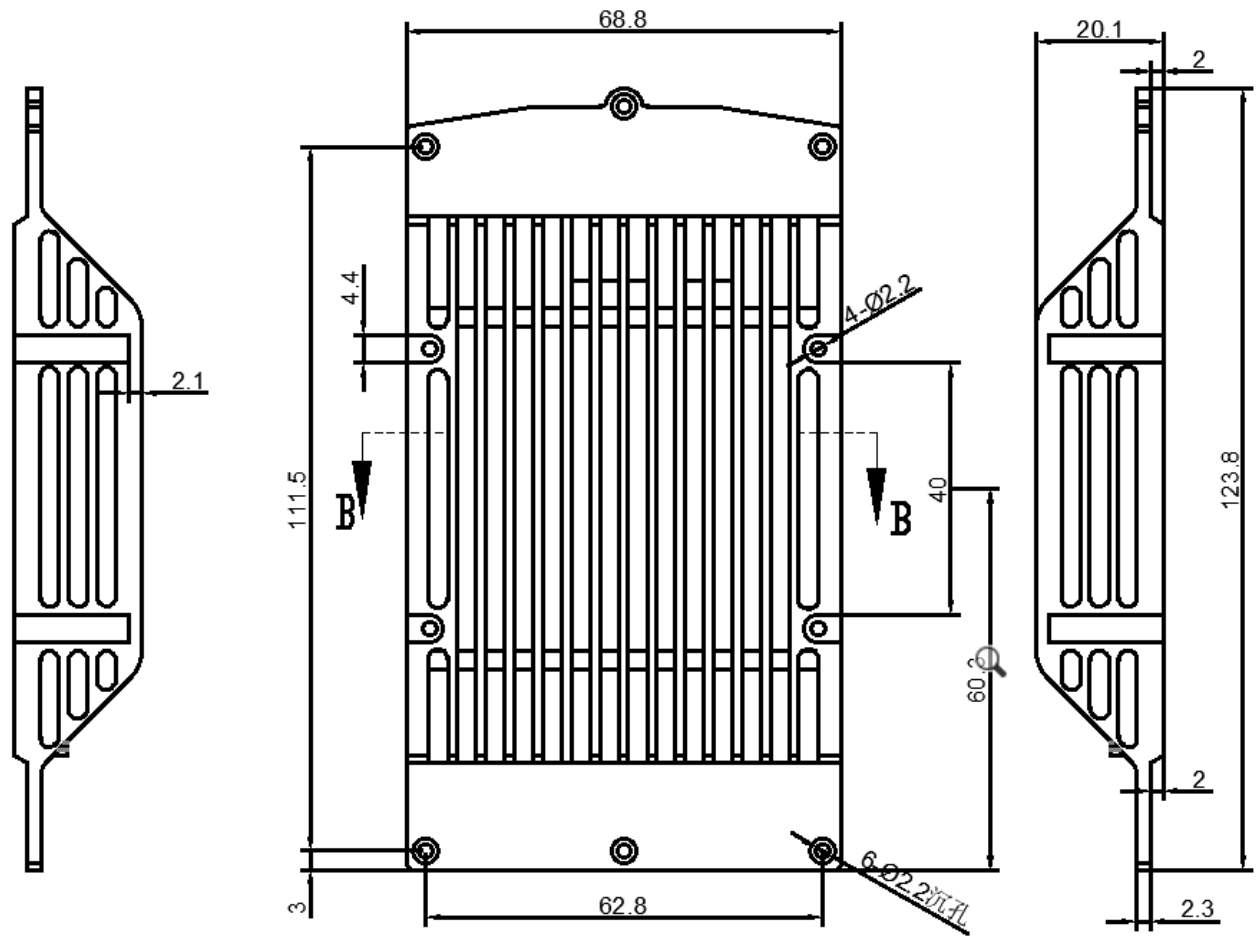


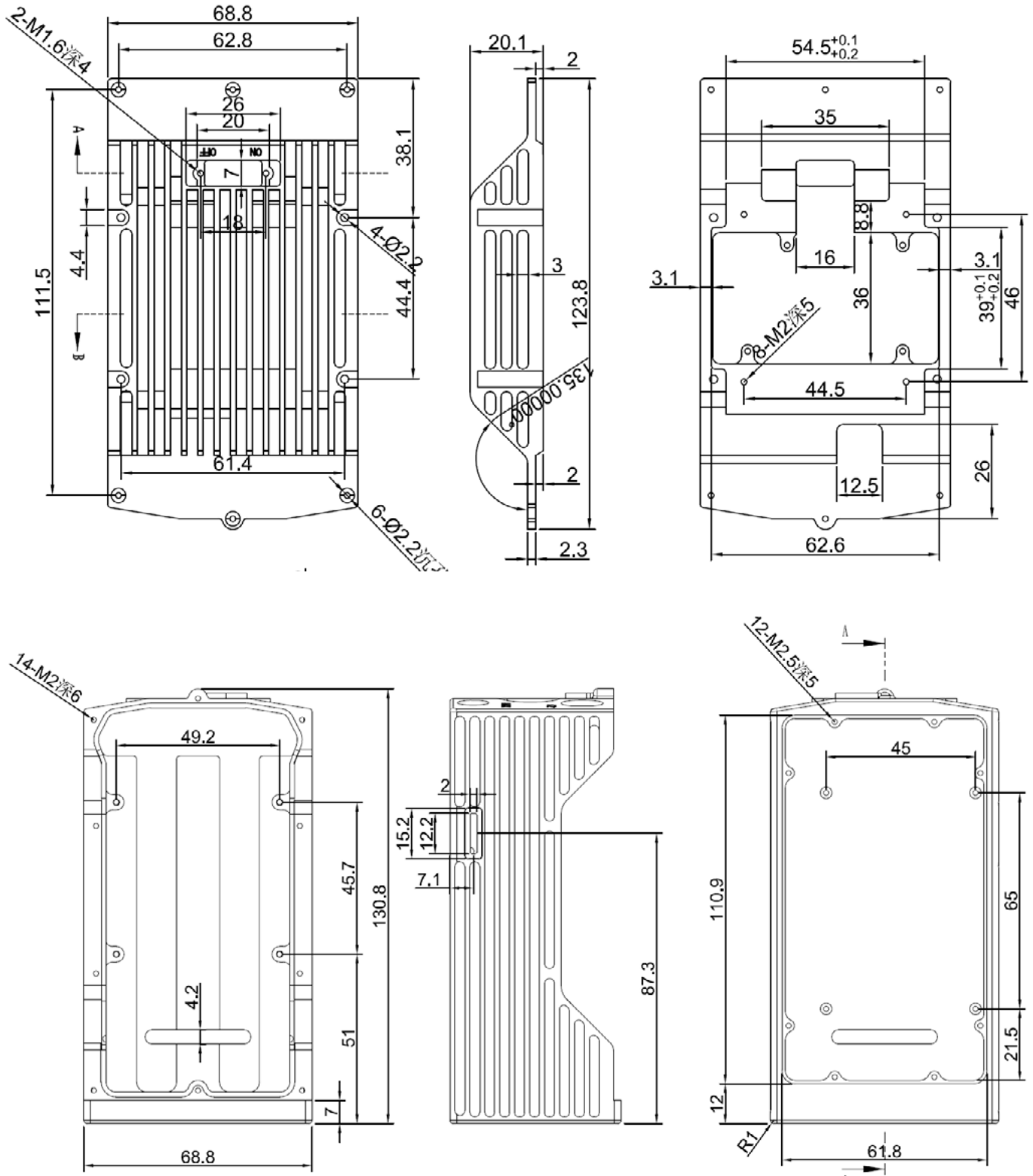
Figure 2 USB/GPIO Pinout Diagram (Cable Side)

4. Handheld Radio Dimension Figure

4.1、Built WiFi、Built WiFi/HDMI

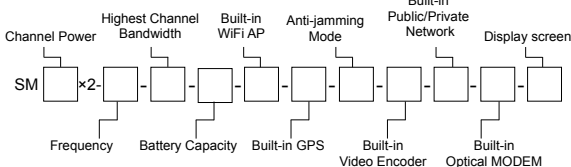


4.2、 Built WiFi/HDMI/5G



5. Handheld Radio Model Name

Model Name:



Channel Power (W)	Frequency (MHz)	Highest Channel Bandwidth(MHz)	Battery Capacity (Wh)	Built-in WiFi AP	Built-in GPS	Anti-jamming Mode	Built-in Video Encoder	Built-in Public/Private Network	Built-in Optical MODEM	Display Screen
0.5,1	600,U	10	0(N)	0(N)	0(N)	0(Single Frequency)	0(N)	0(N)	0(N)	0(N)
2	1400,L		76,114	1(Y)	1(Y)	1(Intelligent Channel Selection)	HDMI	4G/5G	1(Y)	2(2")
10	2300,S		214,427			2(Autonomous Frequency Hopping)	SDI/AV	4G LTE CPE		4(4")
20	4500,C									

SM2×2-1400-40-6.8-1-1-0-HDMI-4G/5G-0-0, Express: 2W×2, L Band, Maximum Channel Bandwidth 10MHz, With 76Wh Battery, With WiFi AP, With Positioning Module, Single Frequency, Built-in HDMI Coding, Built-in 4G/5G Public Network Module Handheld Radio.